

AMANO IP INTERCOM

Empowering Your Parking Transformation



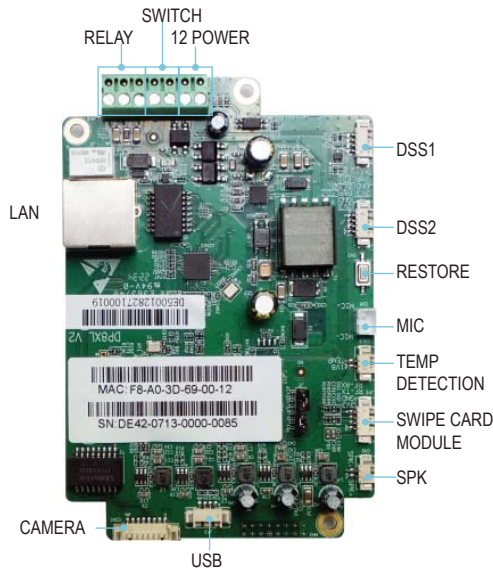
AMANO SIP Audio Intercom: One-Button

The AMANO DP91-S is an One-button SIP audio intercom with advanced audio system that can be mounted on AMANO GT3200 cashless parking kiosk and furnished with the echo cancellation function. Combined with the AMANO DP70 indoor touch screen control pad or AMANO C63G series IP Phone, you can remote communication with caller any time.

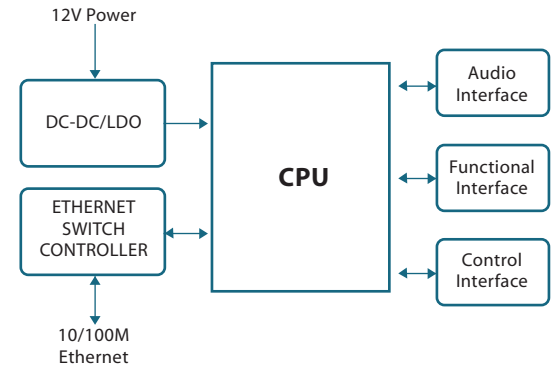
The AMANO DP91-S offers keyless control and convenience for the users opening the door or barrier gate without a key. The door can be opened remotely via DTMF if there is an electronic door lock. AMANO DP91-S also supports one touch button for emergency calling for parking industry.

Its main board, DP8XL uses a quad core ARM Cortex-A35 CPU designed for intelligent voice interaction, audio input/output processing, and other digital multimedia applications.

AMANO SYSTEM DIAGRAM



Main Board, DP8XL



Main Board System Structure

SPECIFICATIONS

ACCESS CONTROL

Dual SIP line, Dual SIP servers, Door Access: DTMF tones
Door Phone features: • Full-duplex • Default auto answer
• Action URL/Active URI remote control • Speed Dial

ADMINISTRATION FEATURES

Auto provisioning: • FTP/TFTP/HTTP/HTTPS/PnP • HTTP/HTTPS Web Management
Configuration keypad-based management, SNMP/TR069, NTP/Daylight Saving Time
Firmware Upgrade via Web, Syslog, Configuration backup/restore

MEMORY

1 port 100M/10M RJ45 Ethernet, POE, 1 ports delay output,
1 ports sensor short circuit input, 1 ports exit button, 1 port 8Ω speaker,
1 port MIC, 1 port RS232, 1 ports DSS key

ENVIRONMENTS

Operating Temperature: -20~65°C
Storage Temperature: -40~70°C
Relative Humidity: 10~90%

AUDIO FEATURES

HD voice, Two-way audio stream, Wideband codec: G.722
Narrowband codec: PCMA, PCMU, G.729, G723_53, G723_63, G726_32
Echo cancellation with G.168, Voice activity detection (VAD), Comfort noise generator(CNG)
Built-in Micro and speaker, Acoustic echo cancellation audio output

PROTOCOLS & NETWORK

SIP v1 (RFC2543), v2 (RFC3261), SIP over TLS, SRTP
Onvif, TCP/IPv4/UDP, RTP/RTCP, RFC2198, 1889, HTTP/HTTPS/FTP/TFTP
ARP/RARP/ICMP/NTP, DNS SRV/ A Query/NATPR Query, Primary /Secondary DNS
STUN, Session timer, 802.1p/q, DSCP, 802.1x, DHCP/Static/PPPoE
DTMF Mode: In-Band, RFC2833 and SIP INFO

PHYSICAL SPECIFICATIONS

1 call button, Aluminum surface, Metal bottom shell
Power Supply: DC 12V1A or 802.3af PoE, Power Requirements: 802.3af PoE class 3
1xRJ45 10/100M Ethernet jacks, Wall-mounted installation
Dimensions: 153*120*38 mm

